

#### Features

- For baths 14" (356 mm) to 21" (533 mm) deep from the center of the bath overflow outlet to the center of the bath drain outlet.
- 30" (762 mm) length external cable.
- Flexible overflow joint conforms to various bath angles.
- No internal linkages to minimize the potential for clogging.
- For use with any PureFlo rotary or push hand controls and pop-up drain stopper kit (sold separately).

#### Material

- Metal construction control handle and stopper.

#### Installation

- Flexible overflow neck for easy installation to fit various bath angles.
- Above- or through-floor installation.

#### Required Products/Accessories

K-T37391 Rotary-turn bath drain trim

or

K-T37392 Rotary-turn bath drain trim

or

K-T37393 Rotary-turn bath drain trim

or

K-T37394 Rotary-turn bath drain trim

or

K-T37395 Bath drain trim

or

K-T37396 Push-button bath drain trim

or

K-T37397 Push-button bath drain trim

#### Recommended Products/Accessories

K-23726 Drain treatment

K-23723 Faucet cleaner

#### Included Components

Additional Components:

Drain ell

Overflow ell

Tee

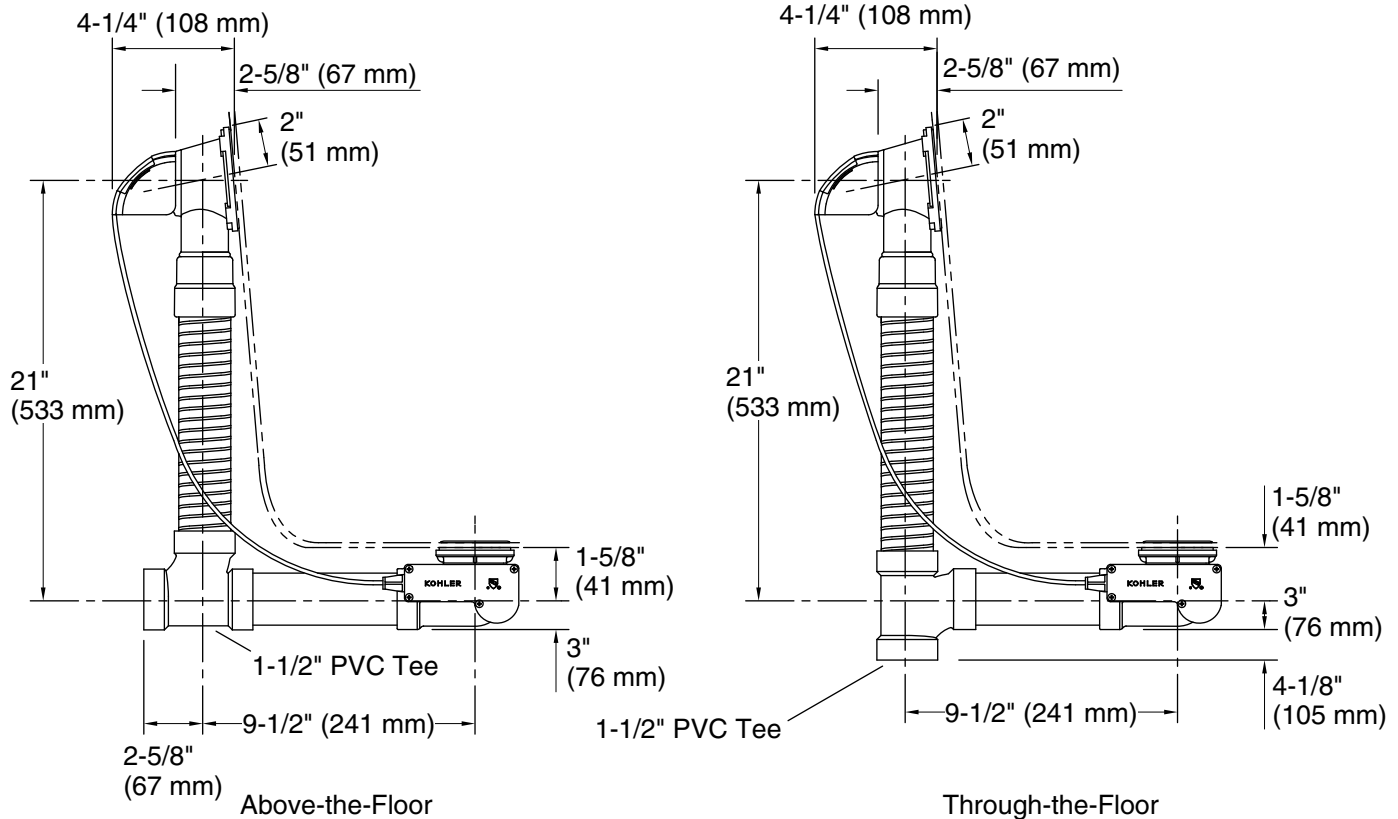


#### Codes/Standards

ASME A112.18.2/CSA B125.2

#### KOHLER® One-Year Limited Warranty

See website for detailed warranty information.



### Technical Information

All product dimensions are nominal.

### Notes

Install this product according to the installation guide.

The combined length of the vertical tubing (supplied) and horizontal tubing (not supplied) after being cut for the bath installation must be equal to or less than 25" (635 mm) for 30" (762 mm) cable bath drain.